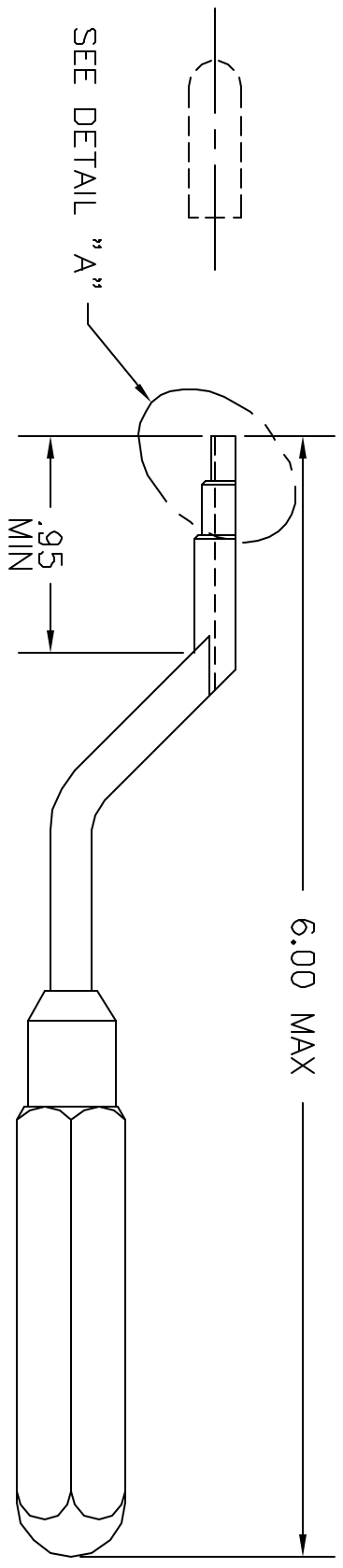


REVISIONS				
REV. SYM.	E.C.O. NUMBER	DESCRIPTION	BY DATE	APP'D DATE
1		ORIGINAL RELEASE	JMJ 3/28/02	RRR 3/28/02



**UNCONTROLLED DOCUMENT  
WILL NOT BE UPDATED**

**RESTRICTED & CONFIDENTIAL**

CONFIDENTIAL PROPERTY OF DANIELS MANUFACTURING CORP. NOT TO BE DISCLOSED TO OTHERS, REPRODUCED OR USED FOR ANY OTHER PURPOSE, EXCEPT AS AUTHORIZED IN WRITING BY DANIELS MANUFACTURING. MUST BE RETURNED TO DANIELS MANUFACTURING CORP. ON COMPLETION OF ORDER OR OTHER PURPOSE FOR WHICH LENT.

**MATERIAL**

**HEAT TREAT**

**FINISH**

ITEM	PART NO.	DATE
DRN. J. JOYCE		3/28/02
CHK'D. RRR		3/28/02
APP'D.		DATE

QTY.	DESCRIPTION/REMARKS
	<p><b>DMC</b> DANIELS MANUFACTURING CORP. ORLANDO, FLORIDA CAGE 11851</p> <p>TITLE INSTALLING TOOL ENVELOPE DRAWING</p> <p>WHERE USED:</p>

**DO NOT SCALE DRAWING**

SIZE	SCALE	EAD P/N	SHEET	OF
A	NTS	DAK55-16J	1	1

POSTING	P/N	REV.
	DAK55-16J	1