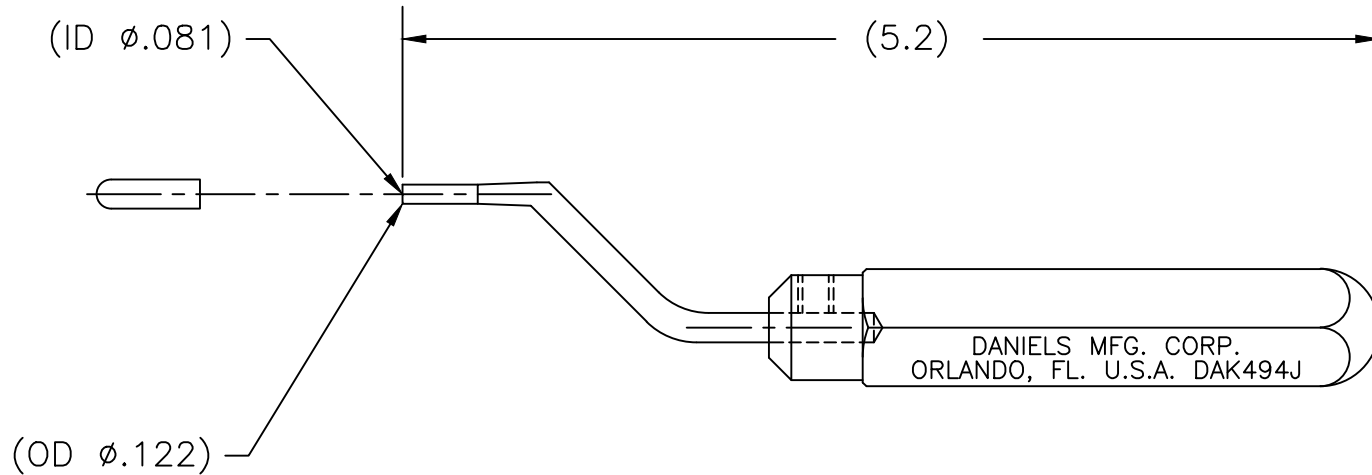


**UNCONTROLLED DOCUMENT
WILL NOT BE UPDATED**

DIMENSIONS IN INCHES - UNLESS OTHERWISE SPECIFIED

REVISIONS				
REV. SYM.	E.C.O. NUMBER	DESCRIPTION	BY DATE	APP'D DATE
1		ORIGINAL RELEASE	K. KOONS 12.12.16	



LOCKHEED #550K031-020A
CONTACT #031-0964-000.

NOTES:

MATERIAL	ITEM	PART NO.	QTY.	DESCRIPTION/REMARKS
N/A	DRN. KIRK C KOONS CHK'D.	DATE 12.12.16 DATE		DMC DANIELS MANUFACTURING CORP. ORLANDO, FLORIDA CAGE 11851
HEAT TREAT N/A	APP'D.	DATE		TITLE INSTALLING TOOL ENV DWG
FINISH N/A	APP'D.	DATE		WHERE USED: SIZE A SCALE NTS DWG. NO. DAK494J-ENV SHEET 1 OF 1 POSTING P/N DAK494J REV. 1
	NOTE: THIS DRAWING IS AN OUTLINE DRAWING OF THE RESPECTIVE DMC PART NUMBER INDICATED. ACTUAL DMC PART NUMBER IS DRAWING NUMBER WITHOUT THE "-ENV" SUFFIX			

RESTRICTED & CONFIDENTIAL

CONFIDENTIAL PROPERTY OF DANIELS MANUFACTURING CORP. NOT TO BE DISCLOSED TO OTHERS, REPRODUCED OR USED FOR ANY OTHER PURPOSE EXCEPT AS AUTHORIZED IN WRITING BY DANIELS MANUFACTURING. MUST BE RETURNED TO DANIELS MANUFACTURING CORP. ON COMPLETION OF ORDER OR OTHER PURPOSES FOR WHICH LENT.

DO NOT SCALE DRAWING