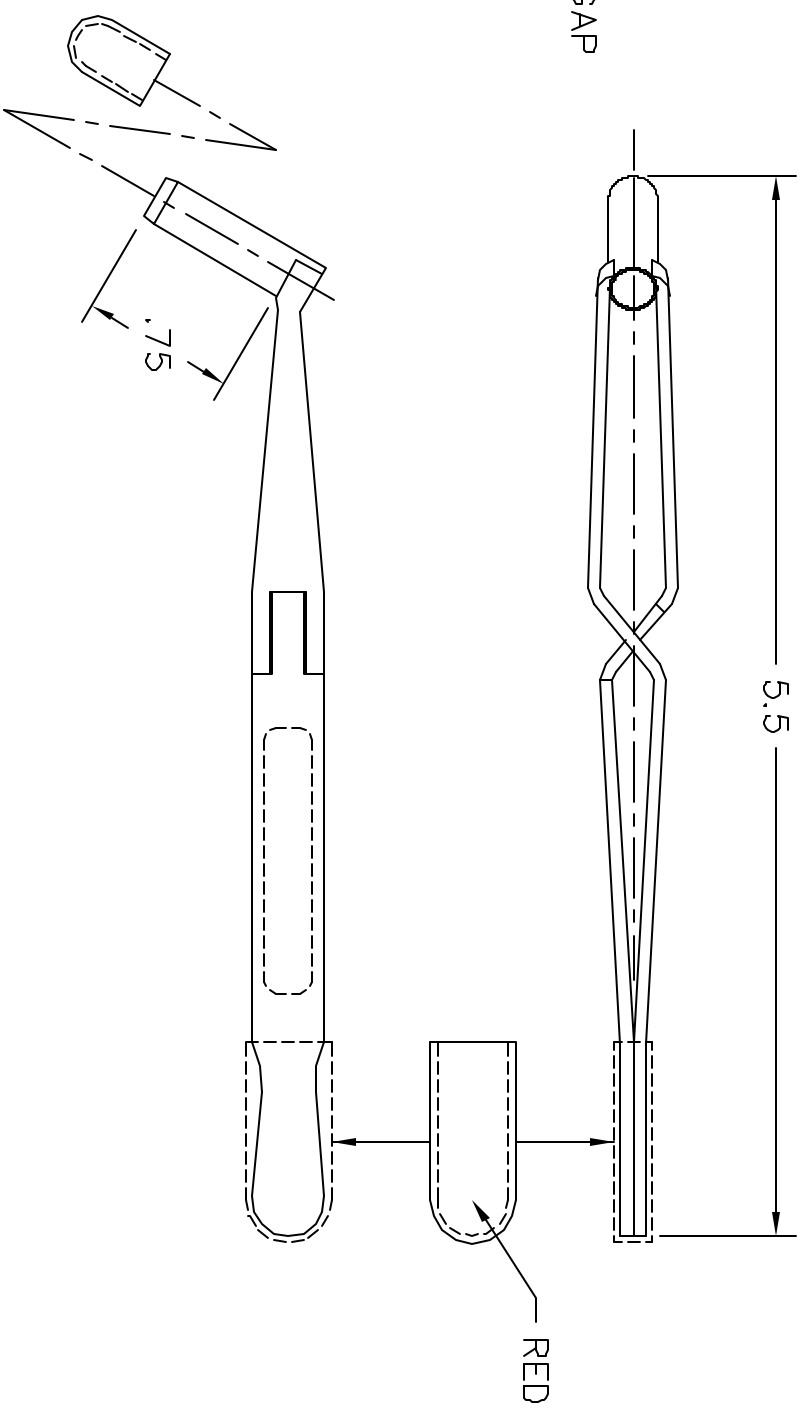
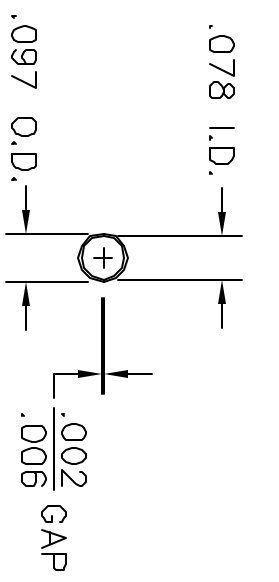


REVISIONS				
REV. SYM.	E.C.O. NUMBER	DESCRIPTION	BY DATE	APP'D DATE
1		ORIGINAL RELEASE	JWU 10/15/99	RRR 10/15/99



**UNCONTROLLED DOCUMENT
WILL NOT BE UPDATED**

RESTRICTED & CONFIDENTIAL
CONFIDENTIAL PROPERTY OF DANIELS MANUFACTURING CORP. NOT TO BE DISCLOSED TO OTHERS, REPRODUCED OR USED FOR ANY OTHER PURPOSE EXCEPT AS AUTHORIZED IN WRITING BY DANIELS MANUFACTURING. MUST BE RETURNED TO DANIELS MANUFACTURING CORP. ON COMPLETION OF ORDER OR OTHER PURPOSES FOR WHICH LENT.

MATERIAL	ITEM	PART NO.	QTY.	DESCRIPTION/REMARKS
HEAT TREAT	DRN. J. JOYCE	DATE 10/15/99		
FINISH	CHK'D. RRR	DATE 10/15/99		
APPD. DATE		DATE	TITLE	
APPD. DATE		DATE	INSTALLING TOOL #20 ENVELOPE DRAWING	
WHERE USED:				
SIZE A	SCALE NTS	CAD P/N DAK262-20P-ENV	SHEET 1	OF 1
POSTING		P/N DAK262-20P-ENV	REV. 1	

DO NOT SCALE DRAWING