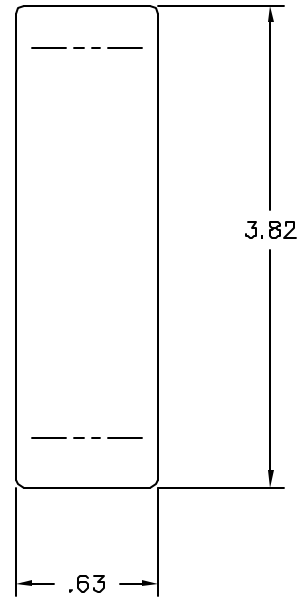
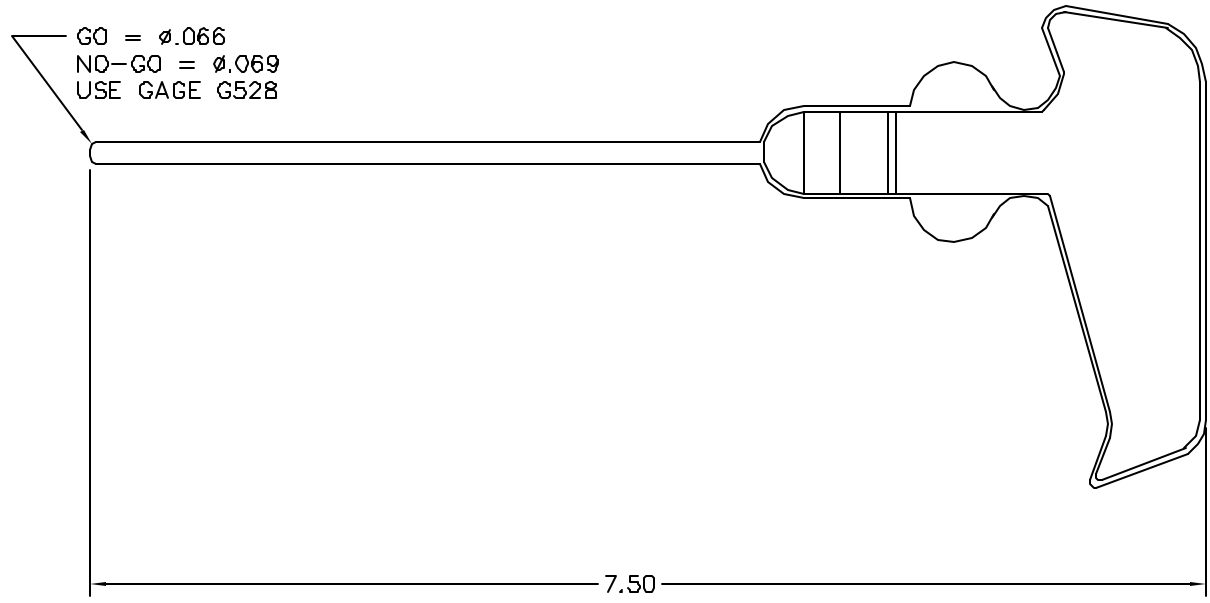



REVISIONS				
REV. SYM.	E.C.O. NUMBER	DESCRIPTION	BY DATE	APP'D DATE
1		ORIGINAL RELEASE	JWJ 8/10/02	RRR 8/10/02



**UNCONTROLLED DOCUMENT
 WILL NOT BE UPDATED**

1. HUGHES TK016IPS01.

NOTES:

RESTRICTED & CONFIDENTIAL CONFIDENTIAL PROPERTY OF DANIELS MANUFACTURING CORP. NOT TO BE DISCLOSED TO OTHERS, REPRODUCED OR USED FOR ANY OTHER PURPOSE, EXCEPT AS AUTHORIZED IN WRITING BY DANIELS MANUFACTURING. MUST BE RETURNED TO DANIELS MANUFACTURING CORP. ON COMPLETION OF ORDER OR OTHER PURPOSE FOR WHICH LENT.	MATERIAL	ITEM	PART NO.	QTY.	DESCRIPTION /REMARKS			
	HEAT TREAT	DRN	J. JOYCE	DATE 9/10/02	 DANIELS MANUFACTURING CORP. ORLANDO, FLORIDA GAGE 11651			
	FINISH	CHK'D.	RRR	DATE 9/10/02				
		APP'D.		DATE				
DO NOT SCALE DRAWING		APP'D.		DATE		TITLE INSERTION TOOL ENVELOPE DRAWING		
		WHERE USED:		SIZE	SCALE	CAD P/N	SHEET	OF
				B	NTS	DAK1-16S-ENV	1	1
				POSTING	P/N		REV.	
					DAK1-16S-ENV		1	