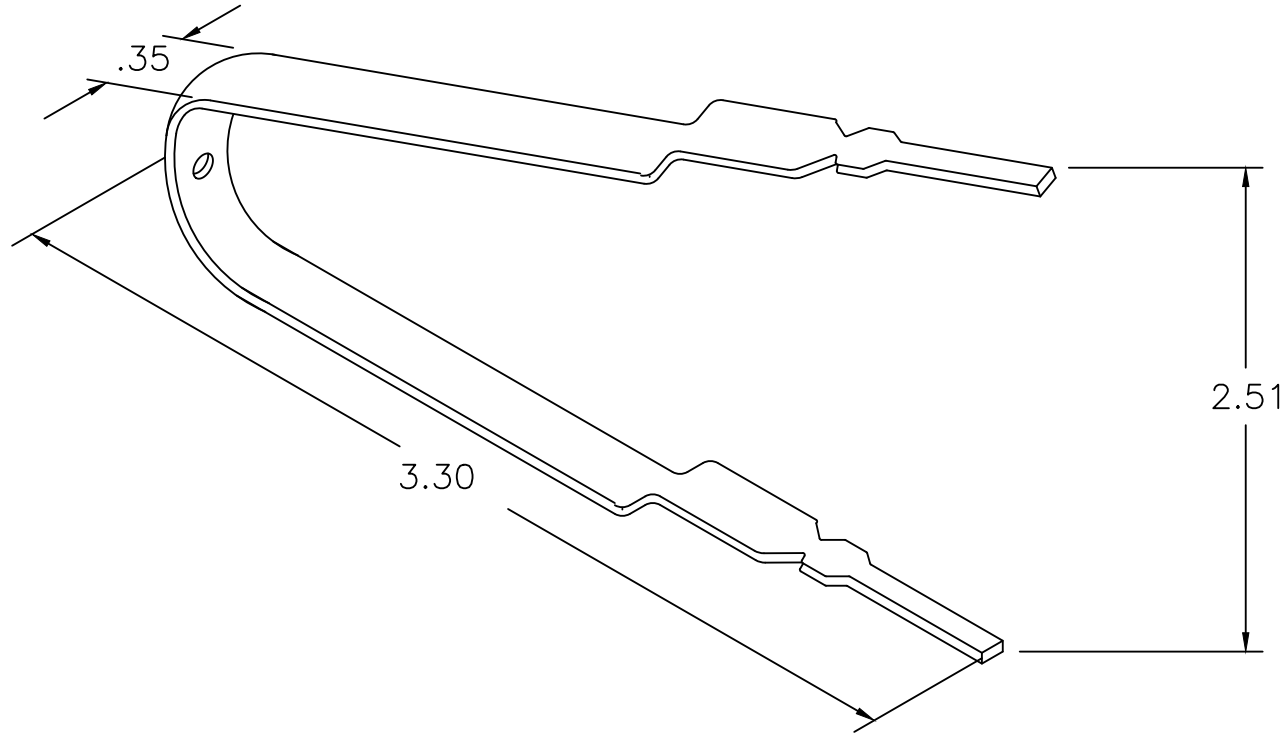


**UNCONTROLLED DOCUMENT
WILL NOT BE UPDATED**

REVISIONS				
REV. SYM.	E.C.O. NUMBER	DESCRIPTION	BY DATE	APP'D DATE
1		ORIGINAL RELEASE	JMC 6-18-02	JWJ 6-18-02
2		CORRECTED LENGTH	ENF 4-12-12	RRR 4-12-12



MATERIAL	ITEM	PART NO.	QTY.	DESCRIPTION/REMARKS				
	DRN.	JMC	DATE 6-18-02	DMC DANIELS MANUFACTURING CORP. ORLANDO, FLORIDA CAGE 11851				
	CHK'D.	JWJ	DATE 6-18-02					
	APP'D.		DATE	TITLE MODULE REMOVAL TOOL (M81714/69-01) WHERE USED: ENVELOPE DRAWING				
	APP'D.		DATE					
HEAT TREAT	NOTE: THIS DRAWING IS AN OUTLINE DRAWING OF THE RESPECTIVE DMC PART NUMBER INDICATED. ACTUAL DMC PART NUMBER IS DRAWING NUMBER WITHOUT THE "-ENV" SUFFIX.			SIZE	SCALE	CAD P/N	SHEET	OF
	DO NOT SCALE DRAWING		A	NTS	CTJ-R06-ENV	1	1	
FINISH	POSTING		DWG. NO. CTJ-R06-ENV		REV. 2			

RESTRICTED & CONFIDENTIAL

CONFIDENTIAL PROPERTY OF DANIELS MANUFACTURING CORP. NOT TO BE DISCLOSED TO OTHERS, REPRODUCED OR USED FOR ANY OTHER PURPOSE EXCEPT AS AUTHORIZED IN WRITING BY DANIELS MANUFACTURING. MUST BE RETURNED TO DANIELS MANUFACTURING CORP. ON COMPLETION OF ORDER OR OTHER PURPOSES FOR WHICH LENT.