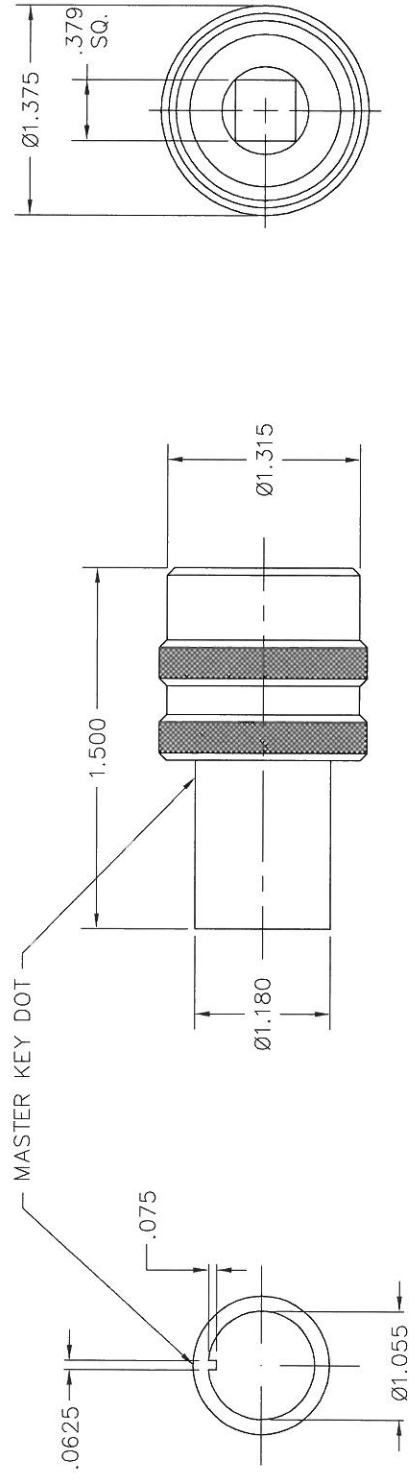


REV. SYM.		E.C.O. NUMBER		DESCRIPTION		BY DATE		APP'D DATE	
1				ORIGINAL RELEASE			6-30-14		

REVISIONS



**UNCONTROLLED DOCUMENT
WILL NOT BE UPDATED**

DIMENSIONS IN INCHES - UNLESS OTHERWISE SPECIFIED

MATERIAL		RESTRICTED & CONFIDENTIAL		DESCRIPTION / REMARKS	
CONFIDENTIAL PROPERTY OF DANIELS MANUFACTURING CORP. NOT TO BE DISCLOSED OR USED FOR ANY OTHER PURPOSE EXCEPT AS AUTHORIZED IN WRITING BY DANIELS MANUFACTURING. THIS DRAWING IS THE PROPERTY OF DANIELS MANUFACTURING CORP. AND IS LOANED TO YOU FOR YOUR INFORMATION ONLY. IT IS NOT TO BE REPRODUCED OR USED FOR ANY OTHER PURPOSE WITHOUT THE WRITTEN PERMISSION OF DANIELS MANUFACTURING CORP.		DATE 6-30-14		DANIELS MANUFACTURING CORP. ORLANDO, FLORIDA CASE 11851	
		DATE		TITLE	
HEAT TREAT		DATE		ADAPTOR TOOL ENVELOPE FOR MIL-C-5015 CONNECTOR PLUGS	
FINISH		DATE		WHERE USED:	
		DATE		SCALE	
		DATE		POSTING	
		DATE		SHEET OF	
		DATE		CM5015-20S-ENV 1 1	
		DATE		P/N	
		DATE		CM5015-20S-ENV 1	
		DATE		REV.	
		DATE		CM5015-20S-ENV 1	
		DATE		REV.	
		DATE		CM5015-20S-ENV 1	

NOTE:
THIS DRAWING IS AN OUTLINE DRAWING OF THE RESPECTIVE DMC PART NUMBER INDICATED. ACTUAL DIMENSIONS SHALL BE THE DIMENSIONS INDICATED ON THE PART NUMBER WITHOUT THE "-ENV" SUFFIX.