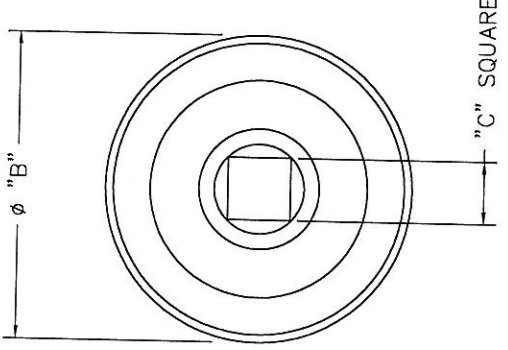
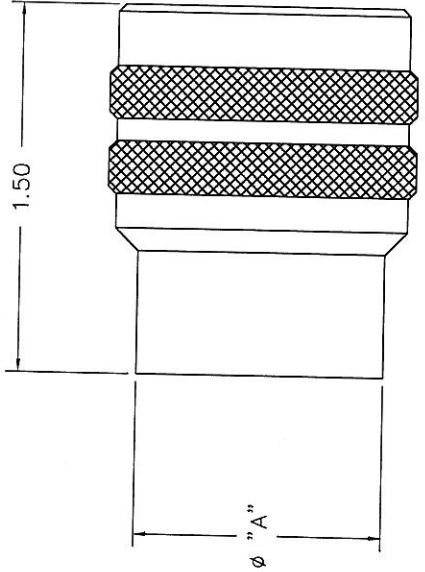


REVISIONS		REV. SYM.	E.C.O. NUMBER	DESCRIPTION	BY DATE	APP'D DATE
1				ORIGINAL RELEASE	7-23-10	



PART NO.	DIM. "A"	DIM. "B"	DIM. "C"	KEYING POSITIONS
CM815S-18B	1.177	1.375	1/4	3, 5, 6
CM815S-18A	1.177	1.375	1/4	1, 2, 4
CM815S-16B	1.054	1.250	1/4	3, 5, 6
CM815S-16A	1.054	1.250	1/4	1, 2, 4
CM815S-14B	.927	1.125	1/4	2, 3, 6
CM815S-14A	.927	1.125	1/4	1, 4, 5
CM815S-10B	.677	.875	1/4	2, 3, 6
CM815S-10A	.677	.875	1/4	1, 4, 5
CM815S-8	.552	.812	1/4	ALL

**UNCONTROLLED DOCUMENT
WILL NOT BE UPDATED
DIMENSIONS IN INCHES - UNLESS OTHERWISE SPECIFIED**

RESTRICTED & CONFIDENTIAL CONFIDENTIAL PROPERTY OF DANIELS MANUFACTURING CORP. NOT TO BE DISCLOSED TO OTHERS, REPRODUCED IN ANY MANNER FOR ANY OTHER PURPOSE EXCEPT AS SPECIALLY AUTHORIZED BY DANIELS MANUFACTURING MANUFACTURING CORP. ON COMPLETION OF ORDER OR OTHER PURPOSE FOR WHICH LENT.	MATERIAL	ITEM	PART NO.	QTY.	DESCRIPTION/REMARKS
	HEAT TREAT	DRN <i>Geny Bidwood</i> CHK'D DATE 1/23/10	DATE		DMC DANIELS MANUFACTURING CORP. ORLANDO, FLORIDA CAGE 11851
DO NOT SCALE DRAWING	FINISH	APP'D.	DATE		TITLE ADAPTER TOOL MIL-C-81511 SERIES 2 & 4 ENVELOPE DRAWING
		APP'D.	DATE		SCALE 2X
NOTE: THIS DRAWING IS AN OUTLINE DRAWING OF THE RESPECTIVE DIM. PART NUMBER. INDICATED DIM. PART NUMBER WITHOUT THE "-ENV" SUFFIX.					
			CAD P/N	SHEET 1 OF 1	REV. 1
			CM-S-815S-ENV	DWG. NO.	REV. 1
			CM-S-815S-ENV		CM-S-815S-ENV