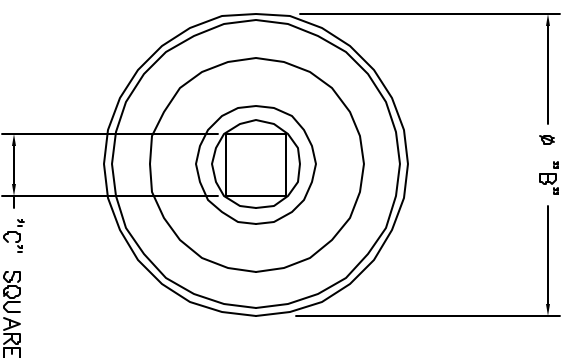
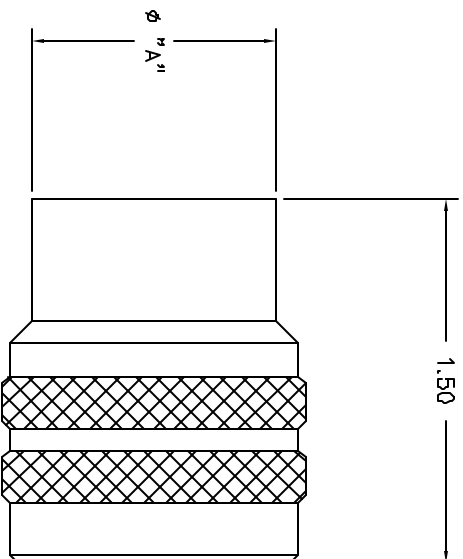


REVISIONS			
REV. NO.	ECN NO.	DESCRIPTION	BY DATE
1		ORIGINAL RELEASE	12/7/00

**UNCONTROLLED DOCUMENT
WILL NOT BE UPDATED**



CM5015-48	2.920	2.984	3/8	ALL
CM5015-44	2.670	2.734	3/8	ALL
CM5015-40	2.420	2.484	3/8	ALL
CM5015-36	2.170	2.234	3/8	ALL
CM5015-32	1.930	1.994	3/8	ALL
CM5015-28	1.680	1.740	3/8	ALL
CM5015-24	1.430	1.494	3/8	ALL
CM5015-22	1.305	1.369	3/8	ALL
CM5015-20	1.180	1.369	3/8	ALL
CM5015-18	1.055	1.119	1/4	ALL
CM5015-16	.935	1.000	1/4	ALL
CM5015-14	.810	.874	1/4	ALL
CM5015-12	.685	.874	1/4	ALL
CM5015-10	.570	.874	1/4	ALL
CM5015-8	.450	.874	1/4	ALL
PART NO.	DIM. "A"	DIM. "B"	DIM. "C"	KEYING POSITION

<p style="text-align: center;">RESTRICTED & CONFIDENTIAL</p> <p style="text-align: center;"><small>CONFIDENTIAL PROPERTY OF DANIELS MANUFACTURING CORP. THIS DRAWING IS NOT TO BE REPRODUCED OR USED FOR ANY OTHER PURPOSES EXCEPT AS AUTHORIZED IN WRITING BY DANIELS MANUFACTURING CORP. THIS DRAWING IS TO BE RETURNED TO DANIELS MANUFACTURING CORP. OR OTHER PURPOSER FOR WHICH INTENT.</small></p>		MATERIAL	ITEM	PART NO.	QTY.	DESCRIPTION/REMARKS
		HEAT TREAT	DATE	DATE	DATE	DATE
DO NOT SCALE DRAWING		FINISH	APPR. DATE	APPR. DATE	APPR. DATE	APPR. DATE
<p style="text-align: center;">DMC DANIELS MANUFACTURING CORP. ORLANDO, FLORIDA CASE 11851</p>		<p style="text-align: center;">TITLE MIL-C-5015 CONNECTOR PLUGS ENVELOPE DRAWING</p>		SIZE	SCALE	CAD P/N
		WHOLE USDC	B	2X	CM-S-5015-ENV	SHEET 1 OF 1
		FINISHING	P/M	CM-S-5015-ENV	REV	1