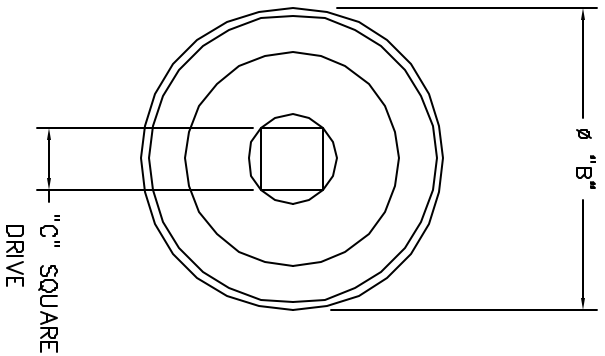
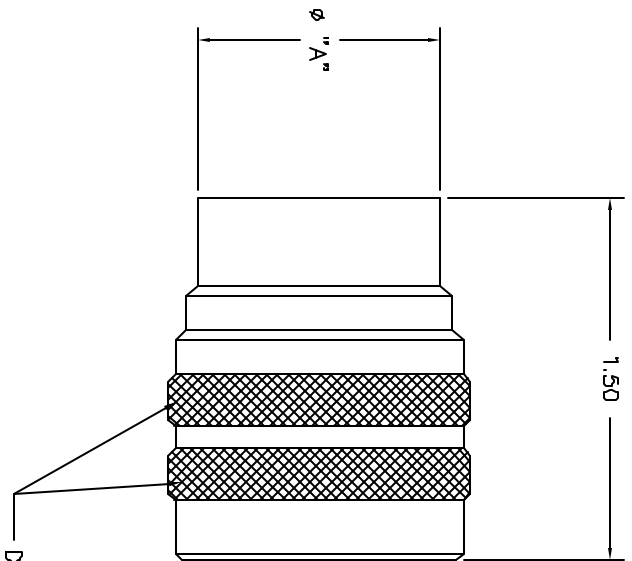


REV.	REV. NUMBER	EGIT NUMBER	DESCRIPTION	BR. DATE	APPR. DATE
1			ORIGINAL RELEASE	B-12-84	B-12-84



PART NO.	DIM. "A"	DIM. "B"	DIM. "C"	KEYING POSITION
CM389T-25B	1.559	1.750	3/8	C,D,E
CM389T-25A				N,A,B
CM389T-23B	1.434	1.625	3/8	C,D,E
CM389T-23A				N,A,B
CM389T-21B	1.309	1.500	3/8	C,D,E
CM389T-21A				N,A,B
CM389T-19B	1.184	1.375	3/8	C,D,E
CM389T-19A				N,A,B
CM389T-17B	1.082	1.250	.25	C,D,E
CM389T-17A				N,A,B
CM389T-15B	0.948	1.125	.25	A,B,C
CM389T-15A				N,D,E
CM389T-13B	.823	1.000	.25	A,B,C
CM389T-13A				N,D,E
CM389T-11B	.689	.875	.25	A,B,C
CM389T-11A				N,D,E
CM389T-9B	.573	.812	.25	A,B,E
CM389T-9A				N,C,D

**UNCONTROLLED DOCUMENT
WILL NOT BE UPDATED**

1. FOR MIL-C-38999 SERIES 3 PLUGS.
NOTES:

RESTRICTED & CONFIDENTIAL		MATERIAL		ITEM		PART NO.		QTY.		DESCRIPTION/REMARKS	
CONFIDENTIAL PROPERTY OF DANIELS MANUFACTURING CO. THIS DRAWING IS NOT TO BE USED FOR ANY OTHER PURPOSE EXCEPT AS AUTHORIZED IN WRITING BY DANIELS MANUFACTURING. MUST BE RETURNED TO DANIELS MANUFACTURING WITH ORIGINAL ORDER OR OTHER PROOF FOR WHICH LENT.		HEAT TREAT		BRN.	JBP	DATE	P-12-84	ADAPTOR TOOL SET (ALUM) ENVELOPE DRAWING			
		FINISH		CH'D.	BG	DATE	P-12-84				
				APPR'D.	US	DATE	P-84				
				APPR'D.	DATE						
DO NOT SCALE DRAWING		WEIRD USED		SIZE	B	SCALE	2X	CAD P/N	CM-S-389T-ENV	SHEET	1 OF 1
				POSTING	P/N			CM-S-389T-ENV		REV.	1