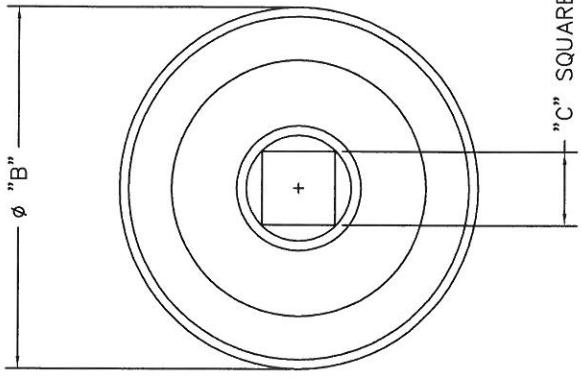
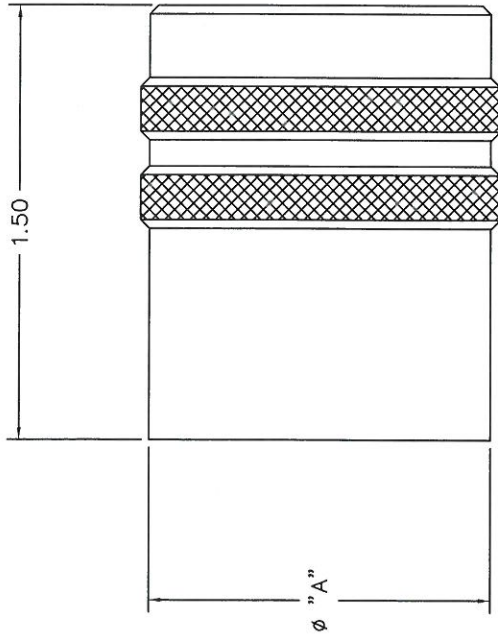


REV. STYL.		E.C.O. NUMBER		DESCRIPTION		BY DATE		APP'D DATE	
1				ORIGINAL RELEASE			7-10-13		



**UNCONTROLLED DOCUMENT
WILL NOT BE UPDATED
DIMENSIONS IN INCHES - UNLESS OTHERWISE SPECIFIED**

PART NO.	DIM. "A"	DIM. "B"	DIM. "C"	KEYING POSITIONS
CM389BR-25	1.607	1.687	3/8	ALL
CM389BR-23	1.480	1.562	3/8	ALL
CM389BR-21	1.351	1.437	3/8	ALL
CM389BR-19	1.226	1.375	3/8	ALL
CM389BR-17	1.146	1.250	1/4	ALL
CM389BR-15	1.021	1.125	1/4	ALL
CM389BR-13	.897	1.000	1/4	ALL
CM389BR-11	.776	.875	1/4	ALL

ITEM	PART NO.	QTY.	DESCRIPTION/REMARKS	DATE		WHERE USED:	SCALE	SHEET OF	
				DATE	DATE				
DRG. 389BR-11			DANIELS MANUFACTURING CORP. ORLANDO, FLORIDA GAGE 11861	7-10-13			B	1	
CHK'D.							N	1	
APP'D.							S	1	
APP'D.							T	1	
TITLE				MIL-C-38999 SERIES 4		ADAPTOR TOOL		ENVELOPE DRAWING	
MATERIAL				HEAT TREAT		FINISH		DO NOT SCALE DRAWING	
RESTRICTED & CONFIDENTIAL CONFIDENTIAL PROPERTY OF DANIELS MANUFACTURING CORP. NOT TO BE DISCLOSED TO OTHERS. REPRODUCED OR TRANSMITTED IN ANY FORM OR BY ANY MEANS, ELECTRONIC OR MECHANICAL, WITHOUT PERMISSION IN WRITING BY DANIELS MANUFACTURING CORP. MUST BE RETURNED TO DANIELS MANUFACTURING CORP. ON COMPLETION OF ORDER WHICH IS THE PURPOSE FOR WHICH LENT.									
NOTE: THIS DRAWING IS THE OUTLINE DRAWING OF THE RESPECTIVE DIM. PART NUMBER INDICATED. ACTUAL DIM. PART NUMBER IS DRAWING NUMBER WITH THE "ENVY" SUFFIX.									