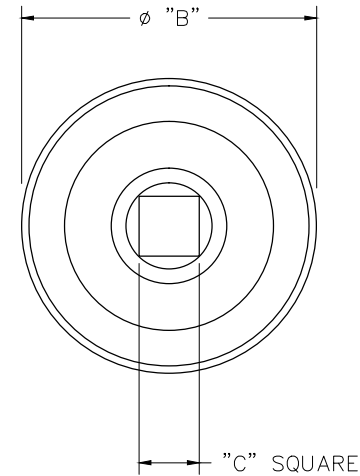
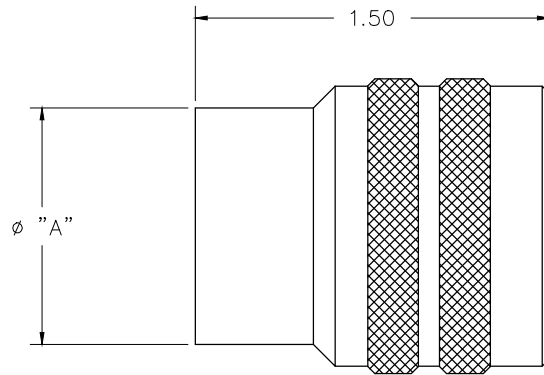


REVISIONS				
REV. SYM.	E.C.O. NUMBER	DESCRIPTION	BY DATE	APP'D DATE
1		ORIGINAL RELEASE	JWJ 1/8/03	RRR 1/8/03



CM288-33B	1.934	2.125	3/8	1,5,6
CM288-33A	1.934	2.125	3/8	2,3,4
CM288-29B	1.747	1.938	3/8	1,5,6
CM288-29A	1.747	1.938	3/8	2,3,4
CM288-25B	1.559	1.750	3/8	1,5,6
CM288-25A	1.559	1.750	3/8	2,3,4
CM288-23B	1.434	1.625	3/8	1,5,6
CM288-23A	1.434	1.625	3/8	2,3,4
CM288-19B	1.247	1.375	3/8	1,5,6
CM288-19A	1.247	1.375	3/8	2,3,4
CM288-17B	1.059	1.250	1/4	1,5,6
CM288-17A	1.059	1.250	1/4	2,3,4
CM288-15B	.996	1.125	1/4	1,5,6
CM288-15A	.996	1.125	1/4	2,3,4
CM288-13B	.823	1.000	1/4	2,4,6
CM288-13A	.823	1.000	1/4	1,3,5
CM288-11B	.698	.875	1/4	2,4,6
CM288-11A	.698	.875	1/4	1,3,5
PART NO.	DIM. "A"	DIM. "B"	DIM. "C"	KEYING POSITIONS

**UNCONTROLLED DOCUMENT
WILL NOT BE UPDATED**

DIMENSIONS IN INCHES - UNLESS OTHERWISE SPECIFIED

RESTRICTED & CONFIDENTIAL CONFIDENTIAL PROPERTY OF DANIELS MANUFACTURING CORP. NOT TO BE DISCLOSED TO OTHERS, REPRODUCED OR USED FOR ANY OTHER PURPOSE, EXCEPT AS AUTHORIZED IN WRITING BY DANIELS MANUFACTURING. MUST BE RETURNED TO DANIELS MANUFACTURING CORP. ON COMPLETION OF ORDER OR OTHER PURPOSE FOR WHICH LENT.	MATERIAL	ITEM	PART NO.	QTY.	DESCRIPTION/REMARKS
	HEAT TREAT	DRN.	J. JOYCE	DATE	1/8/04
		CHK'D.	RRR	DATE	1/8/04
	FINISH	APP'D.		DATE	
APP'D.			DATE		
NOTE: THIS DRAWING IS AN OUTLINE DRAWING OF THE RESPECTIVE DMC PART NUMBER INDICATED. ACTUAL DMC PART NUMBER IS DRAWING NUMBER WITHOUT THE "-ENV" SUFFIX.					
DO NOT SCALE DRAWING					