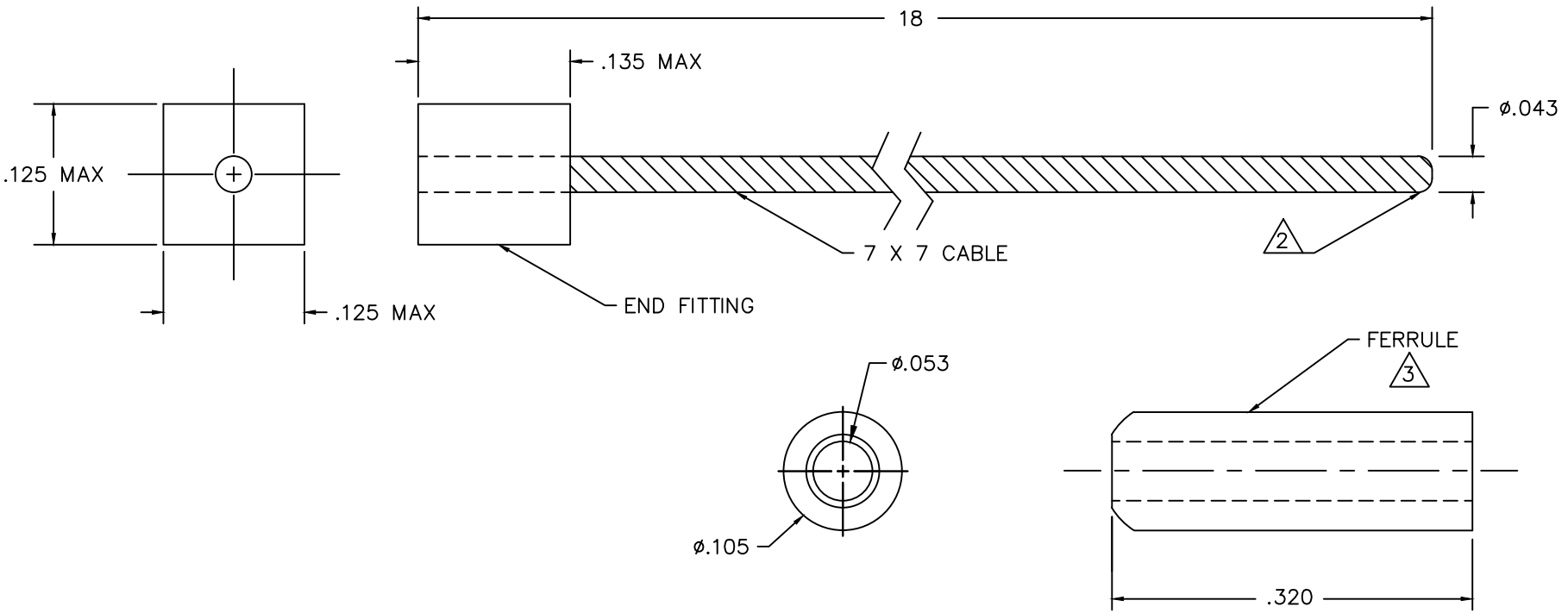


REVISIONS				
REV. SYM.	E.C.O. NUMBER	DESCRIPTION	BY DATE	APP'D DATE
1		ORIGINAL RELEASE	ENF 2-1-13	RRR 2-1-13



- 3. FERRULES SHALL BE PACKAGED IN A DISPOSABLE CARTRIDGE - 50 PIECES PER PACKAGE.
- 2. END SHALL BE FUSED BY FLASH WELD PROCESS WITH NO LOOSE STRANDS.
- 1. PART NUMBER REPRESENTS ONE PACKAGE OF 50 PCS OF CABLE AND ONE CARTRIDGE OF 50 ELONGATED FERRULES.

NOTES:

MATERIAL	ITEM	PART NO.	QTY.	DESCRIPTION/REMARKS
321 SS (UNS S32100)	DRN.	ENF	DATE	DANIELS MANUFACTURING CORP. ORLANDO, FLORIDA CAGE 11851
	CHK'D.	RRR	DATE	
	HEAT TREAT		DATE	
	FINISH		DATE	
NOTE: THIS DRAWING IS AN OUTLINE DRAWING OF THE RESPECTIVE DMC PART NUMBER INDICATED. ACTUAL DMC PART NUMBER IS DRAWING NUMBER WITHOUT THE "-ENV" SUFFIX.				TITLE SAFETY CABLE KIT, 18", .040 DIA., W/ELON. FERRULE PACKAGE OF 50 WHERE USED:
SIZE		SCALE	CAD P/N	SHEET OF
B		NTS	C10-318EFPKG-ENV	1 1
POSTING			DWG. NO.	REV.
			C10-318EFPKG-ENV	1