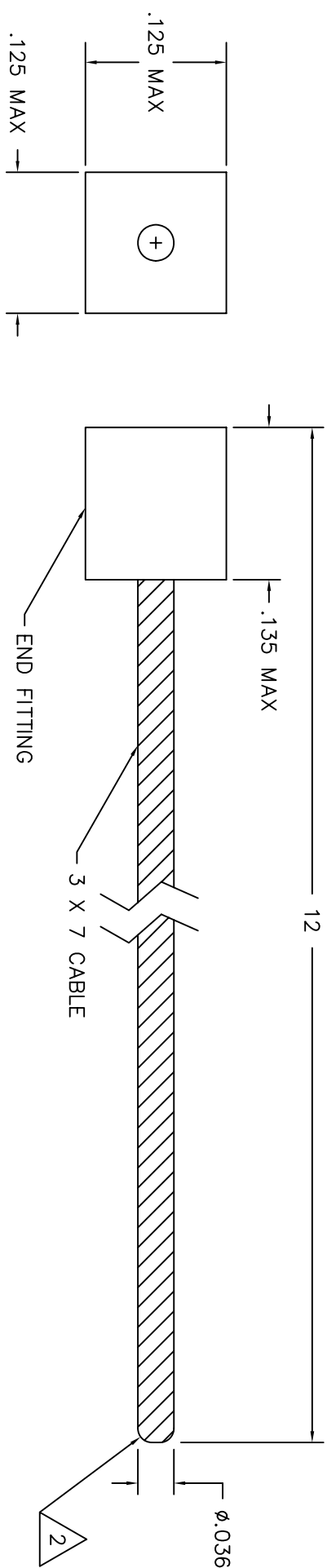


REVISIONS				
REV. SYM.	E.C.O. NUMBER	DESCRIPTION	BY DATE	APP'D. DATE
1		ORIGINAL RELEASE	JMU 5/17/06	RRR 5/17/06



**UNCONTROLLED DOCUMENT
WILL NOT BE UPDATED**

- 3. FERRULES SHALL BE PACKAGED IN A DISPOSABLE CARTRIDGE – 50 PIECES PER PACKAGE.
- 2. END SHALL BE FUSED BY FLASH WELD PROCESS WITH NO LOOSE STRANDS.

- 1. PART NUMBER REPRESENTS FIFTY (50) SAFETY CABLE KITS PACKAGED IN A SLEEVE.

NOTES:

MATERIAL 321 SS (UNS S32100)		ITEM		PART NO.		QTY.		DESCRIPTION/REMARKS	
HEAT TREAT		DRN. J. JOYCE		DATE 5/17/06					
		CHK'D. RRR		DATE 5/17/06					
FINISH		APP'D.		DATE					
DO NOT SCALE DRAWING		NOTE: THIS DRAWING IS AN OUTLINE DRAWING OF THE RESPECTIVE INDICATED ACTUAL DIM. PART NUMBER IS DRAWING NUMBER WITHOUT THE "-ENV" SUFFIX.		WHERE USED: SIZE B SCALE NTS		CAD P/N C10-212PKG-ENV		SHEET OF 1 1	
				DATE		DWG. NO. C10-212PKG-ENV		REV. 1	

D/M/C DANIELS MANUFACTURING CORP.
ORLANDO, FLORIDA
CAGE 11851

TITLE SAFETY CABLE KIT, 12",
.032 DIA.
ENVELOPE DRAWING



FERRULE