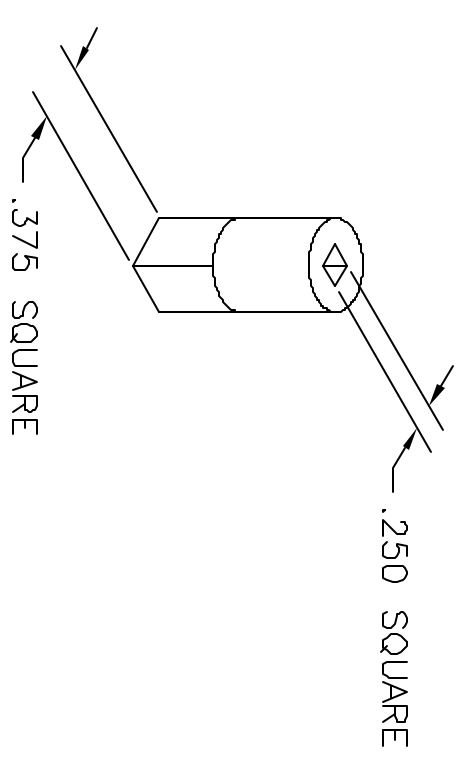
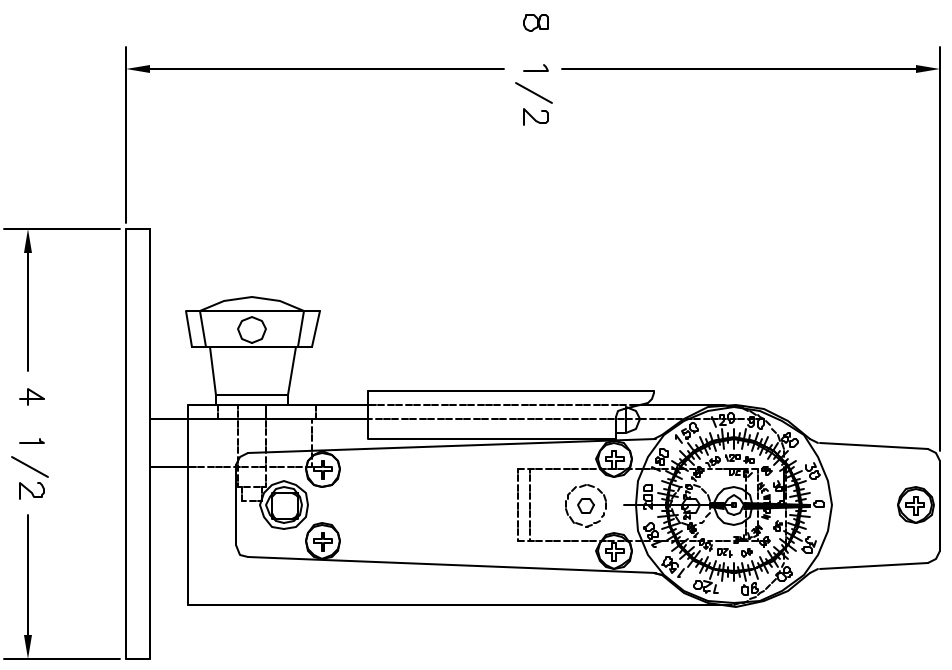
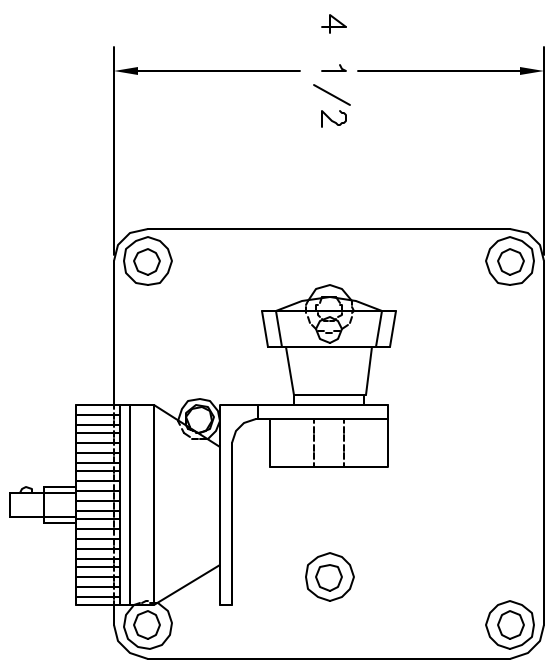


REVISIONS				
REV. SYM.	E.C.O. NUMBER	DESCRIPTION	BY DATE	APP'D DATE
1		ORIGINAL RELEASE	JWJ 3/22/99	JWJ 3/22/99



ADAPTER

**UNCONTROLLED DOCUMENT
WILL NOT BE UPDATED**

<p style="text-align: center;">RESTRICTED & CONFIDENTIAL</p> <p style="font-size: small;">CONFIDENTIAL PROPERTY OF DANIELS MANUFACTURING CORP. NOT TO BE DISCLOSED TO OTHERS, REPRODUCED OR USED FOR ANY OTHER PURPOSE, EXCEPT AS AUTHORIZED IN WRITING BY DANIELS MANUFACTURING. MUST BE RETURNED TO DANIELS MANUFACTURING CORP. ON COMPLETION OF ORDER OR OTHER PURPOSE FOR WHICH LENT.</p>		MATERIAL		ITEM		PART NO.		QTY.		DESCRIPTION/REMARKS			
		HEAT TREAT		DRN.	DTM	DATE	CHK'D.	JWJ	DATE	3/22/99	APP'D.	DATE	DANIELS MANUFACTURING CORP. ORLANDO, FLORIDA CAGE 11851
FINISH		NOTE:		THIS DRAWING IS AN OUTLINE DRAWING OF THE RESPECTIVE DMC PART NUMBER INDICATED. ACTUAL DMC PART NUMBER IS DRAWING NUMBER WITHOUT THE "-ENV" SUFFIX.		TITLE		WHERE USED:		SIZE	SCALE	CAD P/N	SHEET OF
DO NOT SCALE DRAWING		STATIC TORQUE METER BASE MOUNT ASSEMBLY ENVELOPE DRAWING		B		NTS		BT-ST-701-ENV		1	1	BT-ST-701-ENV	1