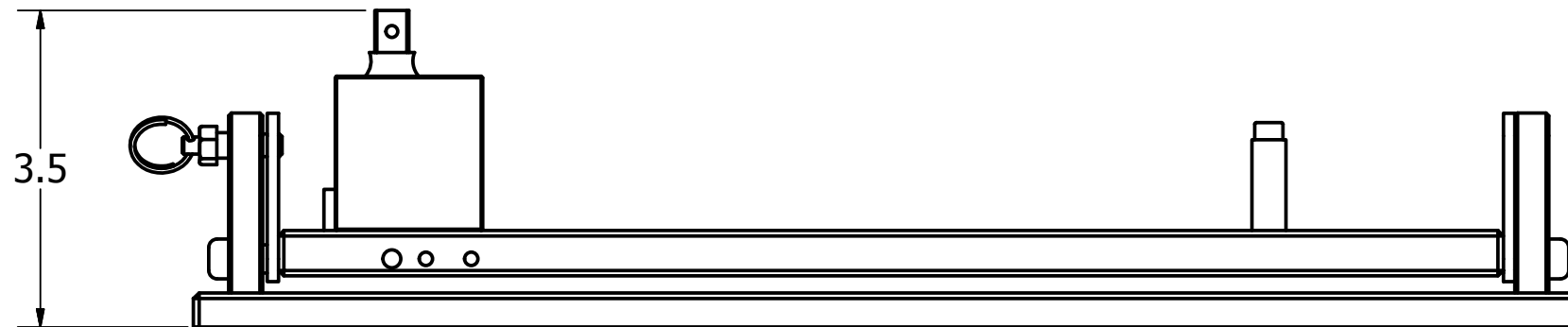
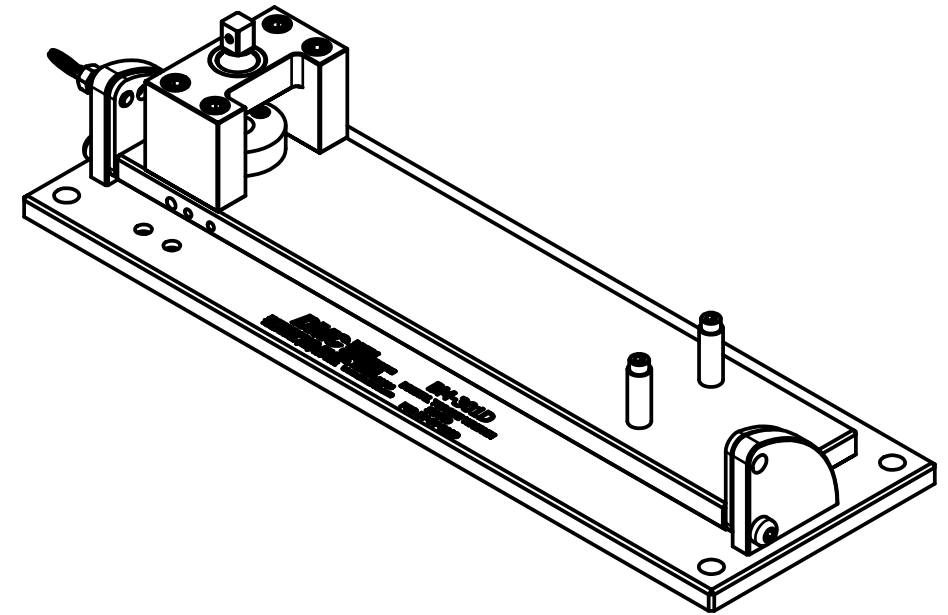
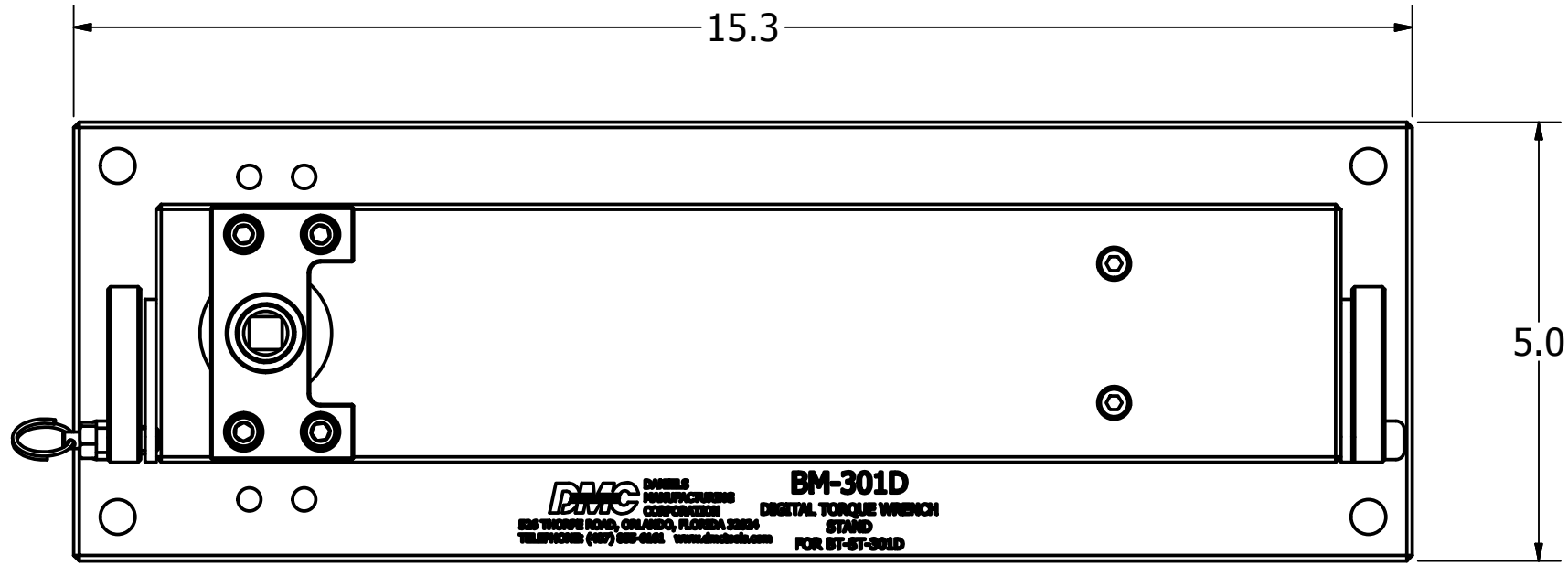



USERS MUST ASSURE THEY ARE USING THE CORRECT REVISION.

REVISIONS

REV	ECO NO.	DESCRIPTION	BY	DATE	APP'D BY	DATE
A	NA	ORIGINAL DRAWING	ENF	6/2/2014	RRR	6/2/2014



1. BENCH MOUNT FOR BT-ST-301D DIGITAL TORQUE WRENCH

MATERIAL	ITEM	PART NO.	QTY.	DESCRIPTION / REMARKS
NA	ENF			 DANIELS MANUFACTURING CORP. ORLANDO, FLORIDA CAGE 11851
	RRR			
RESTRICTED & CONFIDENTIAL CONFIDENTIAL PROPERTY OF DANIELS MANUFACTURING CORP. NOT TO BE DISCLOSED TO OTHERS. REPRODUCTION OR USED FOR ANY OTHER PURPOSE EXCEPT AS AUTHORIZED IN WRITING BY DANIELS MANUFACTURING. MUST BE RETURNED TO DANIELS MANUFACTURING CORP. ON COMPLETION OF ORDER OR PURPOSES FOR WHICH LENT.	HEAT TREAT	NOTE: THIS DRAWING IS AN OUTLINE DRAWING OF THE RESPECTIVE DMC PART NUMBER INDICATED. ACTUAL DMC PART NUMBER IS DRAWING NUMBER WITHOUT THE "-ENV" SUFFIX	TITLE BENCH MOUNT FOR BT-ST-301D	
CREATED FROM AN INVENTOR MODEL. CHANGES MUST BE REFLECTED IN THE 3D PART	FINISH		WHERE USED:	
DO NOT SCALE DRAWING	NA		SIZE: B	SCALE: 1:2
			CAD P/N: BM-301D-ENV	SHEET: 1 OF 1
			DWG. NO.: BM-301D-ENV-ENV	REV.: A