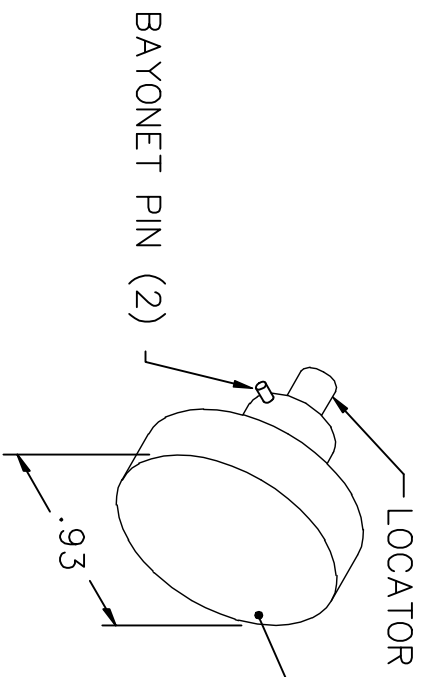
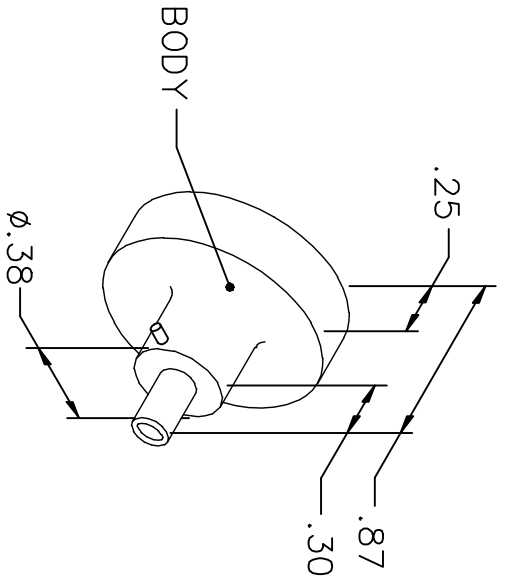



REVISIONS				
REV. SYM.	E.C.O. NUMBER	DESCRIPTION	BY DATE	APP'D DATE
1		ORIGINAL RELEASE	JWJ 5/4/03	RRR 5/4/03

**UNCONTROLLED DOCUMENT  
WILL NOT BE UPDATED**





**Jupiter**

PART NO: JBX 2 OUT LS07

WIRE SIZE	22	24	26
POS.	6	5	5

USE WITH CONTACT NO:  
JBX 2 CT FCO7  
Ø0.7mm SOCKET, SIZE 2

NOTE: FOR USE WITH DANIELS CRIMP TOOL MH860.

LOCATOR	ADDITIONAL FEATURES
HOLE DIMENSIONS	
∅.046	└┘∅.078
∇.642	∇.22

**RESTRICTED & CONFIDENTIAL**

CONFIDENTIAL PROPERTY OF DANIELS MANUFACTURING CORP. NOT TO BE DISCLOSED TO OTHERS, REPRODUCED OR USED FOR ANY OTHER PURPOSE, EXCEPT AS AUTHORIZED IN WRITING BY DANIELS MANUFACTURING. MUST BE RETURNED TO DANIELS MANUFACTURING CORP. ON COMPLETION OF ORDER OR OTHER PURPOSE FOR WHICH LENT.

DO NOT SCALE DRAWING

DRN.	J. JOYCE	DATE	5/4/03
CHK'D.	RRR	DATE	5/4/03
APP'D.		DATE	
APP'D.		DATE	

NOTE: THIS DRAWING IS AN OUTLINE DRAWING OF THE RESPECTIVE DMG PART NUMBER INDICATED. ACTUAL DMG PART NUMBER IS DRAWING NUMBER WITHOUT THE "-ENV" SUFFIX.

WHERE USED: MH860

**DMG** DANIELS MANUFACTURING CORP.  
ORLANDO, FLORIDA  
CAGE 11851

TITLE: POSITIONER ENVELOPE DRAWING

SIZE	SCALE	CAD P/N	SHEET	OF
A	NTS	86-203-ENV	1	1

POSTING: DWG. NO. 86-203-ENV

REV.	1
REV.	1