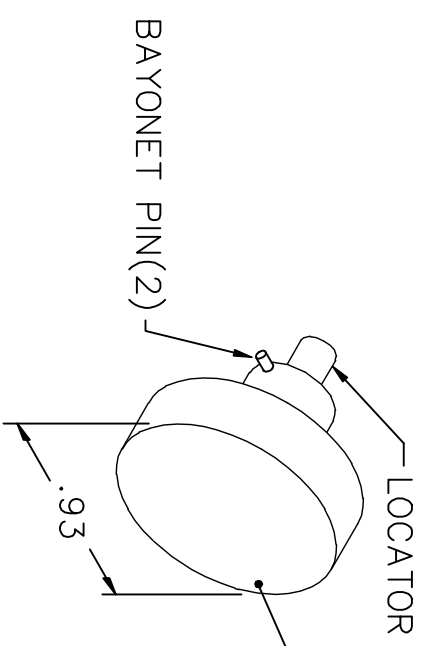
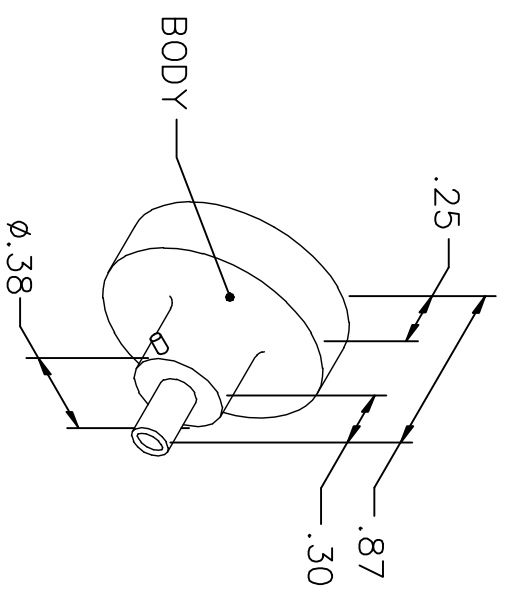



REVISIONS				
REV. SYM.	E.C.O. NUMBER	DESCRIPTION	BY DATE	APP'D DATE
2		DATAPLATE CHANGE	TD 9-21-09	

**UNCONTROLLED DOCUMENT
WILL NOT BE UPDATED**




Jupiter
 PART NO: JBX 1 OUT LS09

WIRE SIZE	20	22	24
POS.	6	5	4

USE WITH CONTACT NO:
 JBX 1 CT FC09
 $\phi 0.9mm$ SOCKET, SIZE 1


NOTE: FOR USE WITH DANIELS CRIMP TOOLS
ACCOMMODATING "86" SERIES POSITIONERS

LOCATOR	
HOLE DIMENSIONS	ADDITIONAL FEATURES
$\phi .059$ $\nabla .560$	$\perp \phi .093$ $\nabla .21$

RESTRICTED & CONFIDENTIAL

CONFIDENTIAL PROPERTY OF DANIELS MANUFACTURING CORP. NOT TO BE DISCLOSED TO OTHERS, REPRODUCED OR USED FOR ANY OTHER PURPOSE, EXCEPT AS AUTHORIZED IN WRITING BY DANIELS MANUFACTURING. MUST BE RETURNED TO DANIELS MANUFACTURING CORP. ON COMPLETION OF ORDER OR OTHER PURPOSE FOR WHICH LENT.

DO NOT SCALE DRAWING

DRN A. MOO-YOUNG	DATE 12-6-01	 DANIELS MANUFACTURING CORP. ORLANDO, FLORIDA CASE 11851	TITLE ENVELOPE DRAWING POSITIONER	WHERE USED: MH860	CAD P/N	SHEET	OF	
CHK'D. RRR	DATE 12-6-01			A	SCALE	86-199-ENV	1	1
APP'D.	DATE			POSTING	NTS	DWG. NO.	86-199-ENV	REV.

NOTE: THIS DRAWING IS AN OUTLINE DRAWING OF THE RESPECTIVE DMC PART NUMBER INDICATED. ACTUAL DMC PART NUMBER IS DRAWING NUMBER WITHOUT THE "-ENV" SUFFIX.