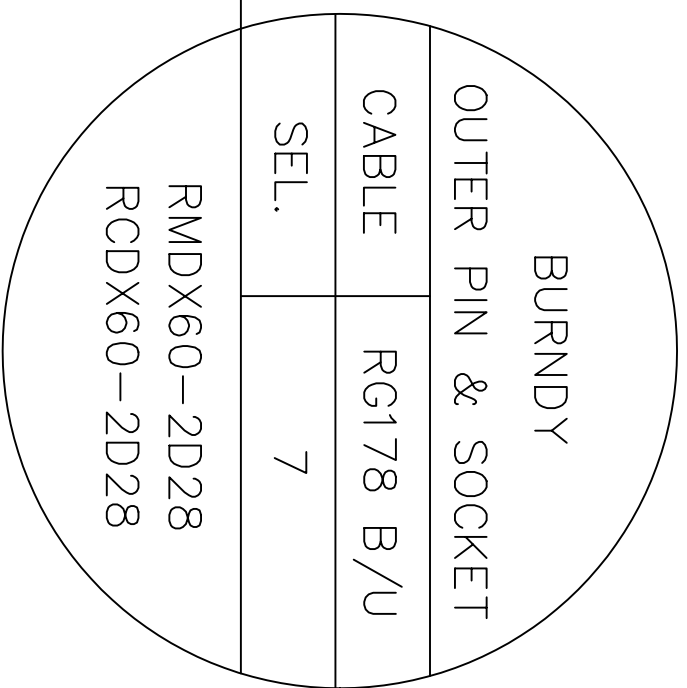
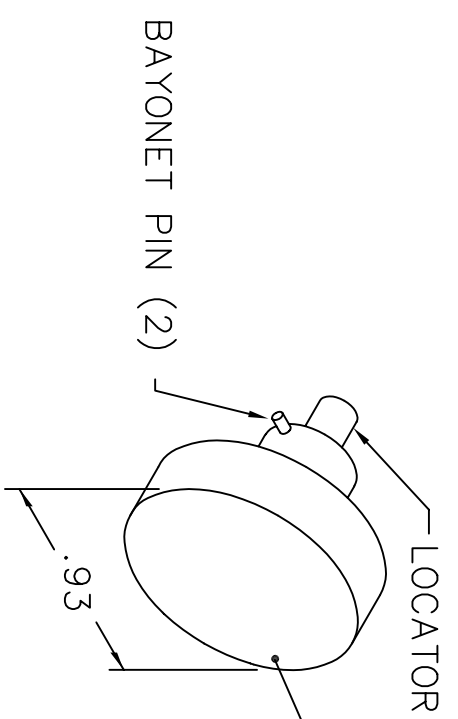
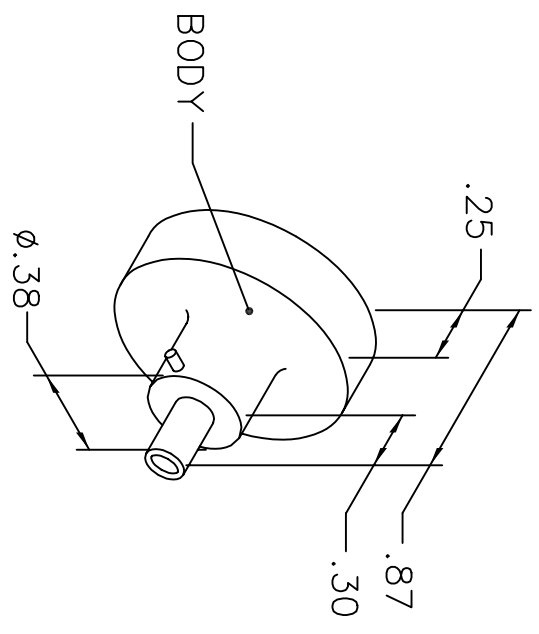


REVISIONS				
REV. SYM.	E.C.O. NUMBER	DESCRIPTION	BY DATE	APP'D DATE
1		ORIGINAL RELEASE	JWJ 12/16/03	RRR 12/16/03

**UNCONTROLLED DOCUMENT
WILL NOT BE UPDATED**



NOTE: FOR USE WITH DANIELS CRIMP TOOLS
ACCOMMODATING "86" SERIES POSITIONERS

LOCATOR	
HOLE DIMENSIONS	ADDITIONAL FEATURES
\varnothing .081 ∇ .688	<input type="checkbox"/> \varnothing .106 ∇ .493 <input type="checkbox"/> \varnothing .144 ∇ .363

RESTRICTED & CONFIDENTIAL

CONFIDENTIAL PROPERTY OF DANIELS MANUFACTURING CORP. NOT TO BE DISCLOSED TO OTHERS, REPRODUCED OR USED FOR ANY OTHER PURPOSE, EXCEPT AS AUTHORIZED IN WRITING BY DANIELS MANUFACTURING. MUST BE RETURNED TO DANIELS MANUFACTURING CORP. ON COMPLETION OF ORDER OR OTHER PURPOSE FOR WHICH LENT.

DO NOT SCALE DRAWING

DRN.	J. JOYCE	DATE	12/16/03
CHK'D.	RRR	DATE	12/16/03
APP'D.		DATE	
APP'D.		DATE	
NOTE: THIS DRAWING IS AN OUTLINE DRAWING OF THE RESPECTIVE DMC PART NUMBER INDICATED. ACTUAL DMC PART NUMBER IS DRAWING NUMBER WITHOUT THE "-ENV" SUFFIX.			
TITLE		POSITIONER ENVELOPE DRAWING	
WHERE USED: MH860		CAD P/N	
SIZE	SCALE		
A	NTS	86-167-ENV	
POSTING	DWG. NO.	86-167-ENV	
	SHEET	OF	
	1	1	
	REV.		
	1		

DMC DANIELS MANUFACTURING CORP.
ORLANDO, FLORIDA
CAGE 11851