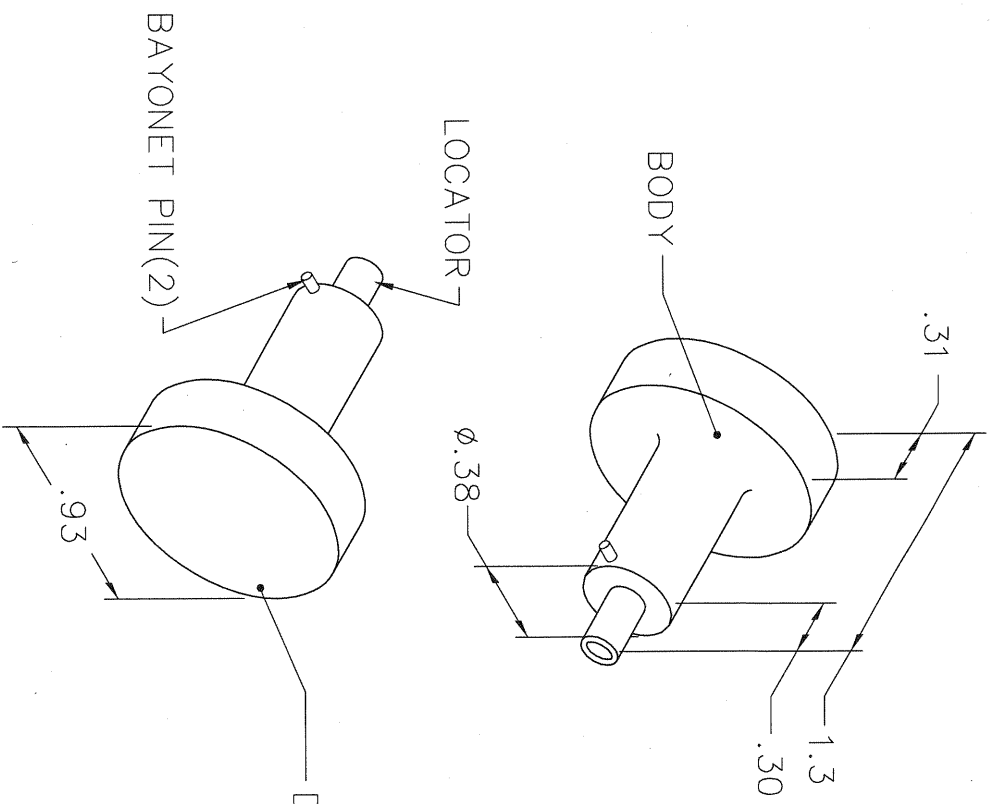


REV. SYM.		E.C.O. NUMBER	DESCRIPTION	BY DATE	APP'D DATE
1			ORIGINAL RELEASE	JWJ 12/16/04	RRR 12/16/04

**UNCONTROLLED DOCUMENT
WILL NOT BE UPDATED**

DIMENSIONS IN INCHES - UNLESS OTHERWISE SPECIFIED



BURNDY			
RC20M13K			
RM20M13K, RC20M12K			
WIRE	20	22	24
SEL.	7	6	5
WIRE	16	18	20
SEL.	8	7	6
RC16M23K			

NOTE: FOR USE WITH DANIELS CRIMP TOOLS
ACCOMMODATING "86" SERIES POSITIONERS

LOCATOR	ADDITIONAL FEATURES
HOLE DIMENSIONS	□ ϕ .136
ϕ .078	∇ .449
∇ .747	

RESTRICTED & CONFIDENTIAL

CONFIDENTIAL PROPERTY OF DANIELS MANUFACTURING CORP. NOT TO BE DISCLOSED TO OTHERS, REPRODUCED OR USED FOR ANY OTHER PURPOSE, EXCEPT AS AUTHORIZED IN WRITING BY DANIELS MANUFACTURING. MUST BE RETURNED TO DANIELS MANUFACTURING CORP. ON COMPLETION OF ORDER OR OTHER PURPOSE FOR WHICH LENT.

DO NOT SCALE DRAWING

DRN.	J. JOYCE	DATE	12/16/04
CHK'D.	RRR	DATE	12/16/04
APP'D.		DATE	
APP'D.		DATE	

NOTE: THIS DRAWING IS AN OUTLINE DRAWING OF THE RESPECTIVE DMC PART NUMBER INDICATED. ACTUAL DMC PART NUMBER IS DRAWING NUMBER WITHOUT THE "-ENV" SUFFIX.

DMC		DANIELS MANUFACTURING CORP. ORLANDO, FLORIDA CAGE 11851	
TITLE ENVELOPE DRAWING POSITIONER			
WHERE USED: MH860		CAD P/N	86-164-ENV
SIZE	SCALE	DMG. NO.	86-164-ENV
A	NTS		
POSTING		SHEET	1 OF 1
		REV.	1