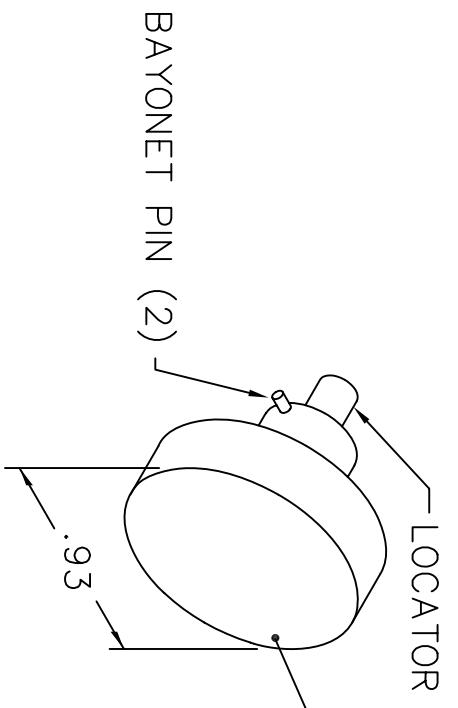
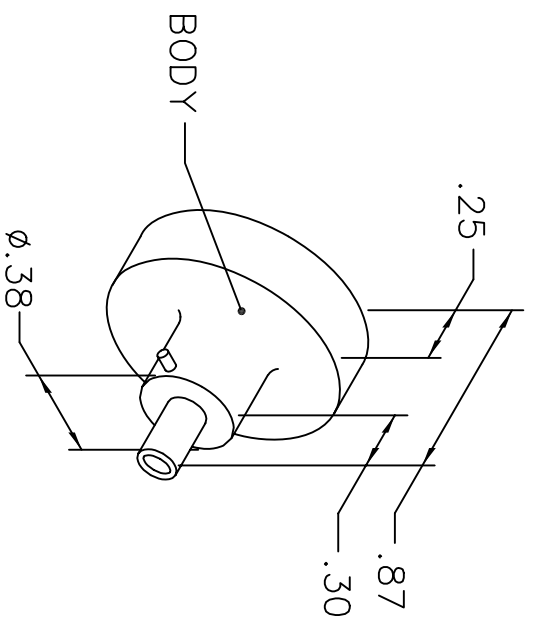
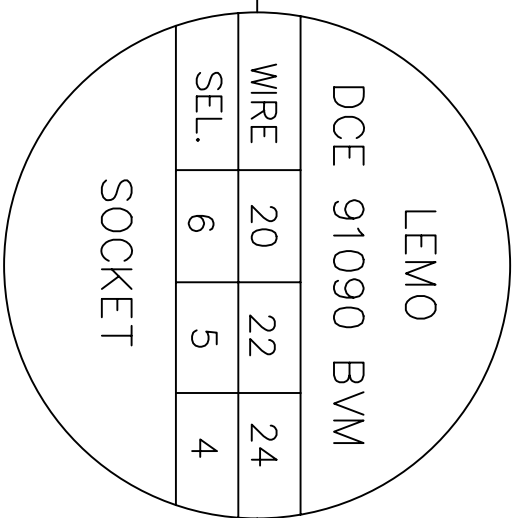


REVISIONS				
REV. SYM.	E.C.O. NUMBER	DESCRIPTION	BY DATE	APP'D DATE
2		CORRECTED DATAPLATE INFO	JWJ 11-29-06	RRR 11-29-06

**UNCONTROLLED DOCUMENT  
WILL NOT BE UPDATED**



NOTE: FOR USE WITH DANIELS MH860 CRIMP TOOL.



LOCATOR	
HOLE DIMENSIONS	ADDITIONAL FEATURES
$\phi .076$ $\nabla .456$	/

**RESTRICTED & CONFIDENTIAL**

CONFIDENTIAL PROPERTY OF DANIELS MANUFACTURING CORP. NOT TO BE DISCLOSED TO OTHERS, REPRODUCED OR USED FOR ANY OTHER PURPOSE, EXCEPT AS AUTHORIZED IN WRITING BY DANIELS MANUFACTURING. MUST BE RETURNED TO DANIELS MANUFACTURING CORP. ON COMPLETION OF ORDER OR OTHER PURPOSE FOR WHICH LENT.

DO NOT SCALE DRAWING

DRN. A. MOO-YOUNG	DATE 6-18-99
CHK'D. RRR	DATE 6-18-99
APP'D.	DATE
APP'D.	DATE

NOTE: THIS DRAWING IS AN OUTLINE DRAWING OF THE RESPECTIVE DMC PART NUMBER INDICATED. ACTUAL DMC PART NUMBER IS DRAWING NUMBER WITHOUT THE "-ENV" SUFFIX.

 DANIELS MANUFACTURING CORP. ORLANDO, FLORIDA CAGE 11851	
TITLE: ENVELOPE DRAWING POSITIONER	
WHERE USED: MH860	CAD P/N: 86-153-ENV
SIZE: A	SCALE: NTS
POSTING:	DWG. NO. 86-153-ENV
SHEET 1 OF 1	REV. 2