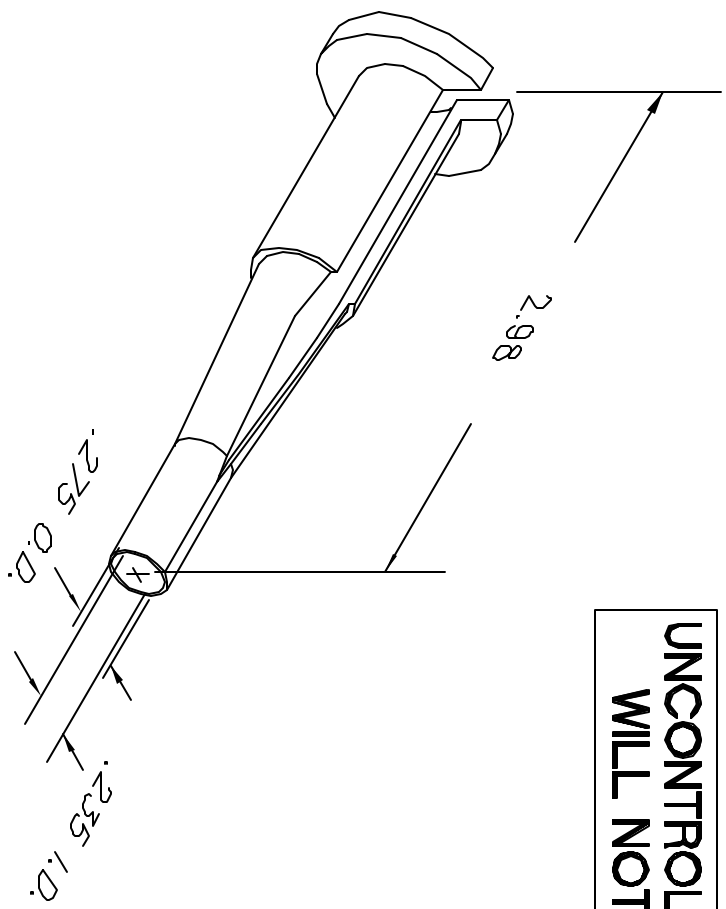



REVISIONS				
REV. SYM.	E.C.O. NUMBER	DESCRIPTION	BY DATE	APP'D DATE
1		ORIGINAL RELEASE	JMK 4/14/00	RRR 4/14/00

**UNCONTROLLED DOCUMENT  
WILL NOT BE UPDATED**



<b>RESTRICTED &amp; CONFIDENTIAL</b> CONFIDENTIAL PROPERTY OF DANIELS MANUFACTURING CORP. NOT TO BE DISCLOSED TO OTHERS, REPRODUCED OR USED FOR ANY OTHER PURPOSE EXCEPT AS AUTHORIZED IN WRITING BY DANIELS MANUFACTURING. MUST BE RETURNED TO DANIELS MANUFACTURING CORP. ON COMPLETION OF ORDER OR OTHER PURPOSE FOR WHICH LENT.		MATERIAL		ITEM		PART NO.		QTY.		DESCRIPTION/REMARKS	
		HEAT TREAT		DRN'G J. JOYCE 4/14/00		DATE 4/14/00		DATE 4/14/00		 <b>DANIELS MANUFACTURING CORP.</b> ORLANDO, FLORIDA CAGE 11851	
FINISH		APP'D.		DATE		TITLE		WHERE USED: <b>REMOVAL TOOL ENVELOPE DRAWING</b>			
		APP'D.		DATE		SIZE					

DO NOT SCALE DRAWING		POSTING		P/N		REV.	
		A		294-541-ENV		1	
				294-541-ENV		1	