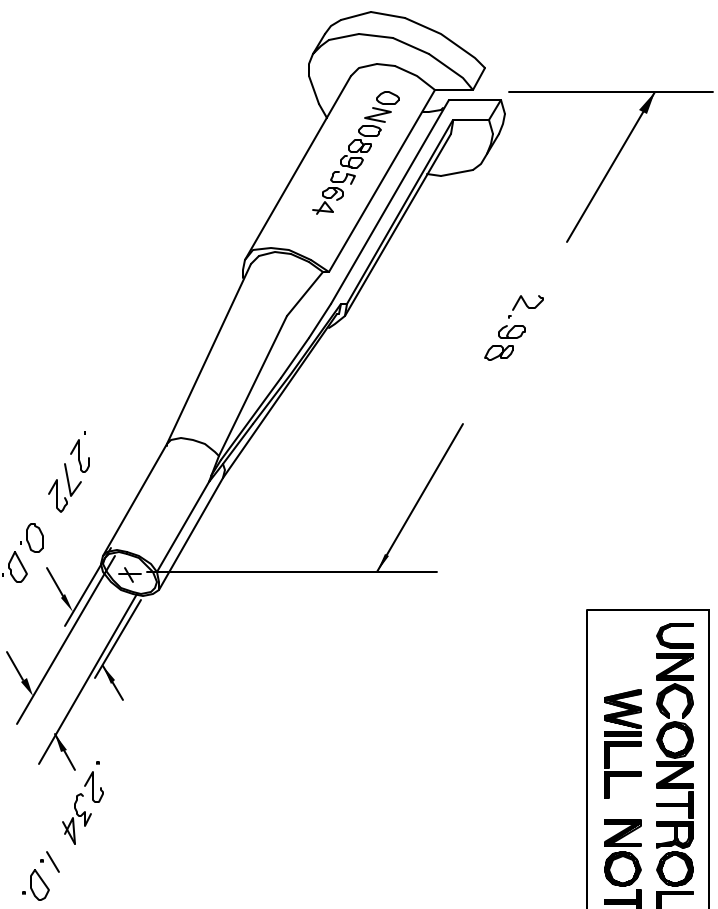


REVISIONS				
REV. SYM.	E.C.O. NUMBER	DESCRIPTION	BY DATE	APP'D DATE
1		ORIGINAL RELEASE	JMK 5/18/04	RRR 5/18/04

**UNCONTROLLED DOCUMENT  
WILL NOT BE UPDATED**



<b>RESTRICTED &amp; CONFIDENTIAL</b>		CONFIDENTIAL PROPERTY OF DANIELS MANUFACTURING CORP. NOT TO BE DISCLOSED TO OTHERS, REPRODUCED OR USED FOR ANY OTHER PURPOSE EXCEPT AS AUTHORIZED IN WRITING BY DANIELS MANUFACTURING. MUST BE RETURNED TO DANIELS MANUFACTURING CORP. ON COMPLETION OF ORDER OR OTHER PURPOSE FOR WHICH LENT.	
MATERIAL		FINISH	
HEAT TREAT		NOTE: THIS DRAWING IS AN OUTLINE DRAWING OF THE RESPECTIVE DWG PART NUMBER INDICATED. ACTUAL DMC PART NUMBER IS DRAWING NUMBER WITHOUT THE "-ENV" SUFFIX	
ITEM	PART NO.	QTY.	DESCRIPTION/REMARKS
DRAWN J. JOYCE	DATE 5/18/04		
CHK'D. RRR	DATE 5/18/04		
APP'D.	DATE		
APP'D.	DATE		

DO NOT SCALE DRAWING		WHERE USED:		SHEET OF	
		SIZE	SCALE	CAD P/N	1
		A	NTS	0N089564-ENV	1
		POSTING	DWG. NO.	0N089564-ENV	REV. 1

**DMC**  
DANIELS MANUFACTURING CORP.  
ORLANDO, FLORIDA  
CAGE 11851

TITLE  
INSTALLING TOOL  
ENVELOPE DRAWING